

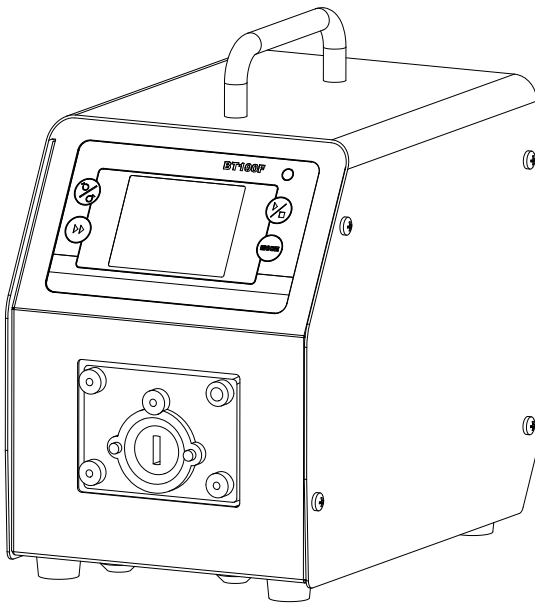


GOLANDER PUMP

Operation Manual

For Intelligent Dispensing Peristaltic Pump

BT100F, BT300F, BT600F



info@golanderpump.com

<http://golanderpump.com>

1-678-587-8806

Contents

Safety Cautions.....	1
1 Description	1
2 Functions and Features.....	2
3 Components and Connectors.....	4
4 Display Panel and Operating Keypads	5
4.1 Keypad.....	5
4.2 LCD Touch Screen Display.....	6
4.3 System Settings	11
5 External Control Interface.....	18
6 Operation Instructions	18
6.1 Before Operation	18
6.2 Power Connection.....	19
6.3 First Run Wizard	19
6.4 Flow Rate Calibration	20
6.5 Working Mode	23
6.6 Wizard.....	27
6.7 External Control Mode.....	30
6.8 Communication Mode	33
6.9 Footswitch	34
7 Maintenance	36
7.1 Warranty.....	36
7.2 Regular Maintenance	36
7.3 Malfunction Solutions	36
8 Dimensions	38
9 Naming Rule	38
10 Specifications.....	39

Safety Cautions



Danger: Please use correct AC power voltage source shown on the sticker on the equipment to avoid any damage.

Please do not open the case. High voltages exist and are accessible. Use extreme caution when servicing internal components. For maintenance, please contact the manufacturer or distributor directly.

Danger: Turn drive off before removing or installing tubing. Fingers or loose clothing could get caught in drive mechanism.



Warning: Tubing breakage may result in fluid being sprayed from pump. Use appropriate measures to protect operator and equipment.

Warning: Remove power from pump before attempting any maintenance or any cleaning operation is started.

Warning: Remove power from pump before connecting or disconnecting the external control device or communication interface.

Warning: Pump is provided with a grounded plug, it must be well grounded at all times.

Warning: This product is not designed for, nor intended for use in patient connected applications; including, but not limited to, medical and dental use.

1 Description

BT-F intelligent dispensing peristaltic pump provides intuitive and clear interface with color LCD touch screen. There are four operation modes available: Volume Dispense Mode, Time Dispense Mode, Copy Dispense Mode and Flow Mode. The system minimizes working noise due to the intelligent cooling fan control. With RS485 MODBUS interface, the pump is easy to communicate with external device, such as PC, HMI or PLC. This pump series includes:

- BT100F, flow rate: 0.00011-720 mL/min, speed: 0.1-150 rpm
- BT300F, flow rate: 0.006-1600 mL/min, speed: 0.1-350 rpm
- BT600F, flow rate: 0.006-2900 mL/min, speed: 0.1-600 rpm

2 Functions and Features

Advantage of peristaltic pump: Peristaltic pump can handle extremely viscous fluids, abrasive slurries and corrosive fluids. There is no seals in contact with the medium pumped and no valves to clog. The inner surfaces are smooth and easy to clean; fluid contacts only the tubing or tube material. Suction lift and priming can be up to 8m water column at sea level. It can handle the most shear sensitive of fluids like latex or firefighting foam with low shearing. It is capable of running dry and pumping fluids with high quantities of entrained air, such as black liquor soap. The high volumetric efficiency allows operation in metering or dosing applications where high accuracy is required. Tubing and tube materials are available for food and pharmaceutical use.

- Color LCD display, touch screen and keypad for operating.
- Reversible direction, start/stop control and adjustable speed.
- Precise motor control technology improves dispense accuracy compared to the traditional time dispense mode.
- Anti-drip function ensures dispense accuracy.
- Three dispense modes available. Time Dispense Mode: automatically dispense by setting the duration for each dose, lag time between doses and number of cycles. Volume Dispense Mode: automatically dispense by setting the volume for each dose, lag time between doses and number of cycles. Copy Dispense Mode: automatically dispense by setting the total volume need to dispense, lag time between doses and number of cycles.
- Store five groups of working parameters for each dispense mode (power-off memory).
- Flow rate display and control; cumulative dispense volume display.
- Flow rate calibration.
- 0.2% high precision rotating speed control with 0.1 rpm speed resolution. Professional operating system. Configure system with setup wizard.

- Intelligent temperature control to minimize working noise.
- External logic level signal can control start/stop, direction and easy dispense functions; external analog signal can adjust the rotating speed. Signal is optically isolated.
- With RS485 MODBUS interface.
- Internal double-layer isolation structure, circuit board with conformal coating make the pump dust-proof and moisture proof.
- Anti-electromagnetic interference feature, wide input voltage range for complex power environment.
- Stainless steel enclosure, easy to clean, resistant to the corrosion of the acid, alkali, sodium and organic solvents.
- Drive multi-channels and variable pump heads.
- Optional footswitch and remote infrared control.

3 Components and Connectors

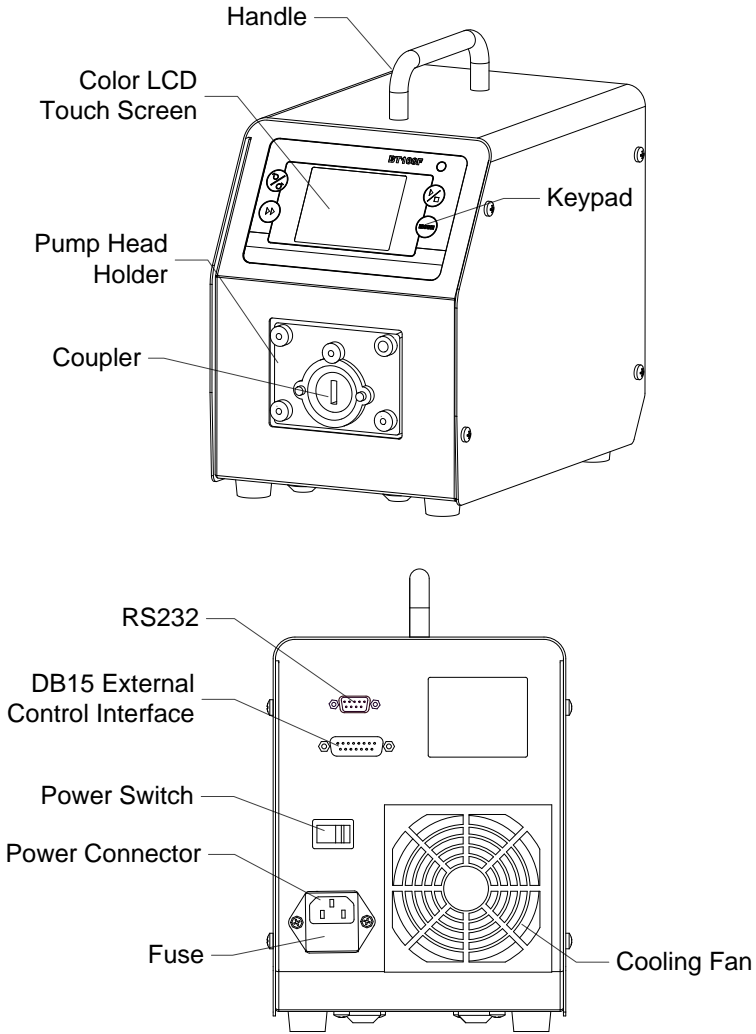


Figure 1. Components and Connectors

4 Display Panel and Operating Keypads

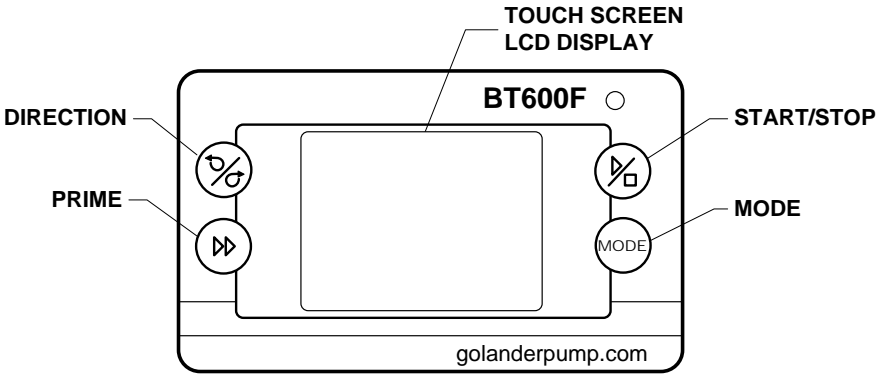


Figure 2. Display Panel

4.1 Keypad



START/STOP key. Press to start or stop the drive.



DIRECTION Key. Press to change the drive rotating direction, clockwise or counterclockwise.



PRIME key. Press the key to run pump at maximum allowed speed in the direction shown on the display. Press again to return to the previous state.



MODE key. When drive is not running, use the MODE key to change the working mode. When keypad is locked, use the MODE key to change the display content.

4.2 LCD Touch Screen Display

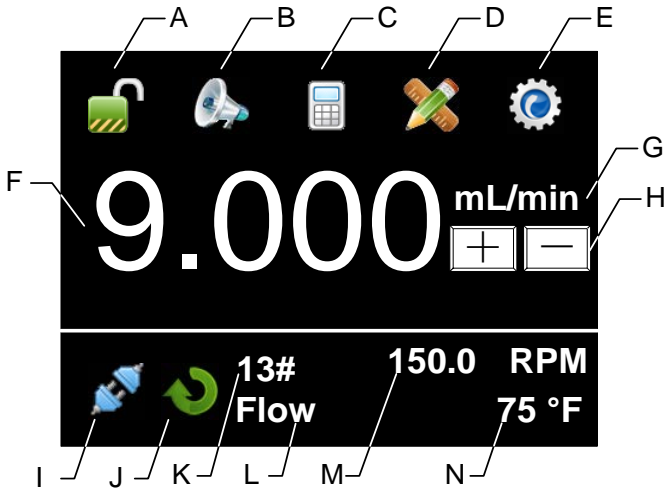


Figure 3. Main screen

4.2.1 A - Keypad Lock

It shows the state of the keypad lock. Press the icon to lock/unlock the keypad. When the keypad is locked, the control mode and system parameter settings can not be changed; use MODE key to change the display content.

Password can be set to unlock the keypad. It will prevent user from changing the system parameters accidentally.

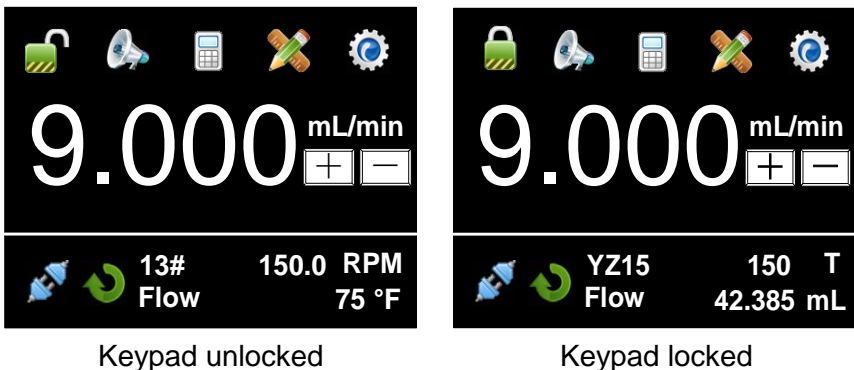


Figure 4. Keypad Lock

4.2.2 B - Tone Button

Press this icon to turn on/off the key tone.



Tone on



Tone off

Figure 5. Key Tone

4.2.3 C - Control Mode

Press this icon to enter the Control Mode interface. There are four control modes available.

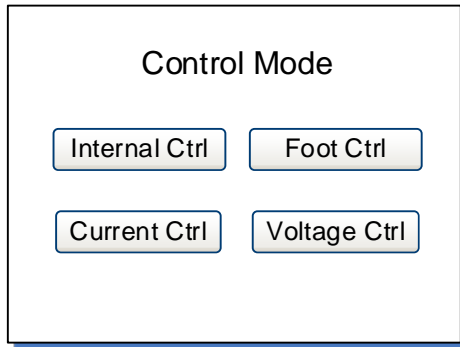


Figure 6. Control Mode

- **Internal Ctrl** - Internal Control Mode: operate pump with keypad and touch screen.
- **Foot Ctrl** - Footswitch Control Mode: use footswitch to control start/stop, and use keypad and touch screen for the other operations.
- **Current Ctrl** - Current Control Mode: external 4-20mA analog current signal controls rotating speed, and logic level signal controls start/stop. The keypad is disabled.
- **Voltage Ctrl** - Voltage Control Mode: external 0-5V or 0-10V

analog voltage signal controls rotating speed, and external logic level signal controls start/stop and direction. The keypad is disabled.

The screen will show the corresponding icon for the control mode you have selected.



Internal Control
Mode



Footswitch
Control Mode



Current Control
Mode



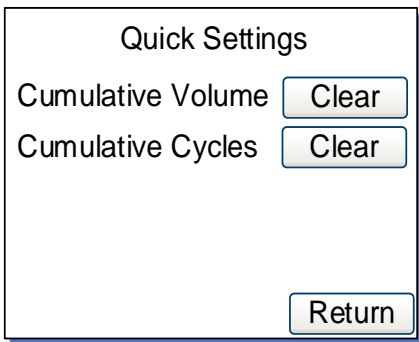
Voltage Control
Mode

Figure 7. Control Mode Icon

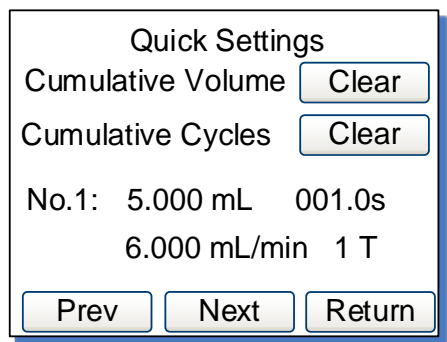


4.2.4 D - Quick Settings

Press this icon to enter Quick Settings interface to reset the cumulative volume and cycles. For the three dispense modes, there are five groups of preset data. Press Prev or Next button to select the desired data group, and then press Return to confirm and return to the main screen. The setting on the main screen will change according to the selected data group.



Flow Mode



Other Modes

Figure 8. Quick Settings



4.2.5 E - System Settings

Press this icon to enter the System Settings menu, and then change the parameters shown on the screen.

4.2.6 F - Flow Rate Setting

It shows current flow rate setting. When the drive is not running, press it to input desired value in the pop-up window. Please pay attention to the range of the value and flow rate unit.

Max:9.0ml/min Min:0.6ul/min

0.9

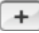

1	2	3	-
4	5	6	->
7	8	9	ESC
.	0	OK	

Figure 9. Flow Rate Setting

4.2.7 G - Flow Rate Unit

It shows current flow rate unit. When the drive is not running, press it to change the unit. The allowed units are $\mu\text{L}/\text{min}$, mL/min and L/min .

4.2.8 H - Fine Adjustment Button

When the drive is running, press the fine adjustment button to adjust the flow rate in real time. Press the  button or  button shortly to increase or decrease the flow rate. Press and hold the buttons to change the value quickly.

4.2.9 I - Communication State

It shows current RS485 communication state.



Communication
connected



Communication
disconnected

Figure 10. Communication State

4.2.10 J - Rotation Direction

It shows current rotation direction. When the drive is not running, it will show one of the following icon.



Clockwise



Counterclockwise

Figure 11. Direction State

When the drive is running, it will change to an animated icon as shown below.



Figure 12. Running Animation

4.2.11 K - Tubing or Pump Head

It shows current configured tubing size or pump head model.

- 17# means the tubing size is 17#.
- ID0.13 means the internal diameter of the tubing is 0.13mm.
- YZ15 means the pump head is YZ15.

4.2.12 L - Working Mode

It shows current working mode, such as Flow Mode, Volume Dispense Mode, Time Dispense Mode or Copy Dispense Mode.

4.2.13 M - Speed or Cumulative Cycles


It shows current speed or cumulative dispense cycles, switched by pressing MODE key. If the speed is higher than the maximum allowed speed, it will show **U_Overflow**; if the speed is lower than the minimum allowed speed, it will show **D_Overflow**. The cumulative cycles can be reset on Quick Settings menu.

4.2.14 N - Internal Temperature or Cumulative Volume

It shows the temperature inside the drive or cumulative volume that the pump has delivered. The cumulative volume can be reset on Quick Settings menu.

The default display temperature is in Fahrenheit. To change display temperature in Celsius, please go to System Information window (see Figure 23), press the “75 °F” area, the display will change to Celsius, which is 24 °C. Press the “24 °C” area again, the display will switch back to Fahrenheit.

4.3 System Settings

When the drive is not running, press the icon  to enter System Settings menu.

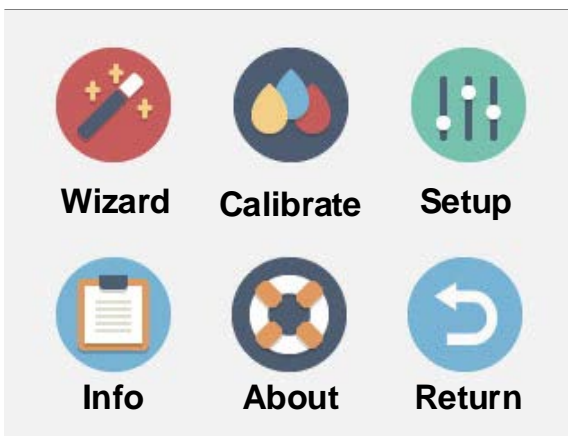


Figure 13. System Settings

4.3.1 Wizard

It's a Wizard to set up the parameters. The system will select appropriate tubing and pump head for you.

4.3.2 Calibrate

Pump will accurately show current flow rate/volume after Flow Rate Calibration.

Note: The calibration is necessary to display flow rate precisely.

4.3.3 Setup

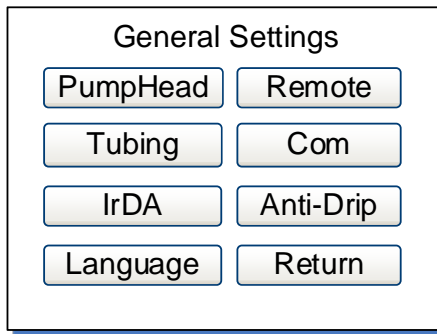


Figure 14. General Settings

- **PumpHead** - Choose the model of the installed pump head.

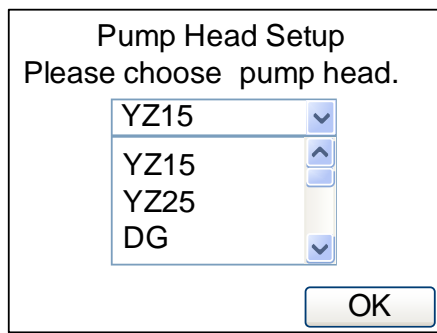


Figure 15. Pump Head Select

- **Tubing** - Choose the appropriate tubing size for selected pump head.

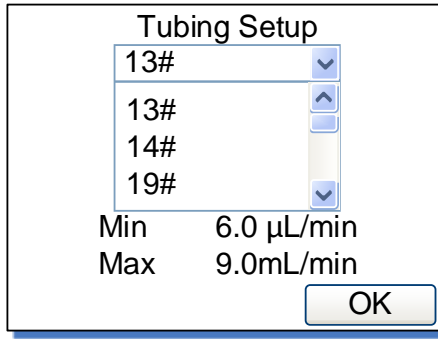


Figure 16. Tubing Select

- **IrDA** - Turn on/off the infrared control function.

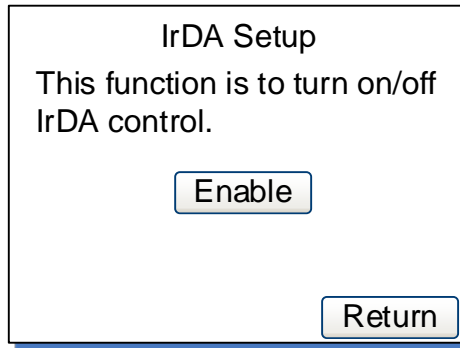


Figure 17. IrDA Setup

- **Language** - Choose display language, Chinese or English.



Figure 18. Language Select

- **Remote**

It is the setting for external control mode: Logic Level control mode or Pulse control mode. When it is set to Logic Level, pump state will change when external switch is closed or open. It is designed for a maintained switch. When it is set to Pulse, pump state will change when the switch is closed then open again. It is designed for a normally open momentary switch.

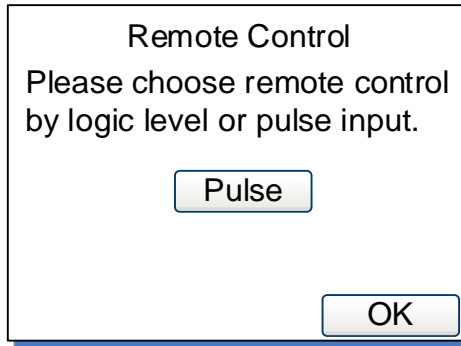


Figure 19. Remote Control Mode

- **Com**

It is the setting for RS485 MODBUS communication including baud rate, transmission mode and pump address. To change the address, click the address number on the screen, then input the value in the pop-up window. Restart the pump to apply the settings.

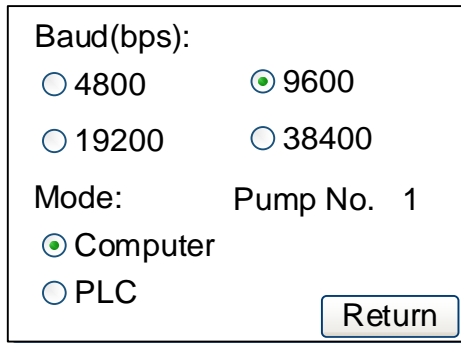


Figure 20. Communication Settings

- **Anti-Drip**

The pump provides deceleration time setting to reduce fluid splash at the end of a dispense. It is the time for the drive to stop from the running speed to 0. In addition, to minimize the drip after a dispense, the drive can reverse direction to draw the fluid back at the end of the tubing. To access this feature, set the reverse angle/rotating speed in the pop-up window. When the angle is set to 0, this feature is disabled.

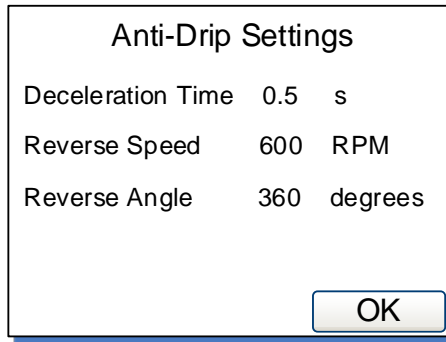


Figure 21. Anti-Drip Settings

4.3.4 Info

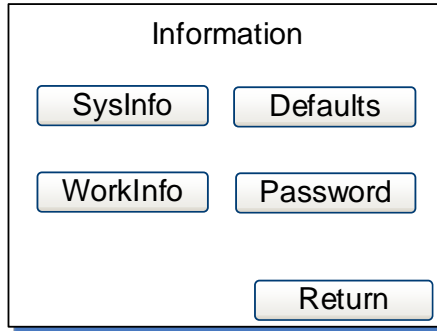


Figure 22. Information

It is about pump information.

- **Sysinfo**

It shows software version, memory size, internal temperature, etc.

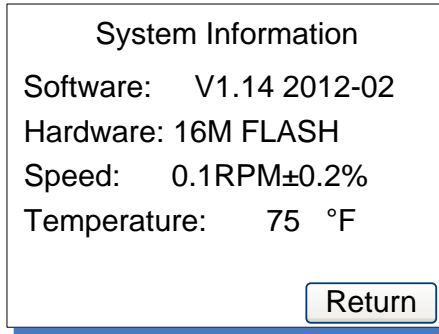


Figure 23. System Information

- **Workinfo**

It shows total power on time, running time and power cycles.

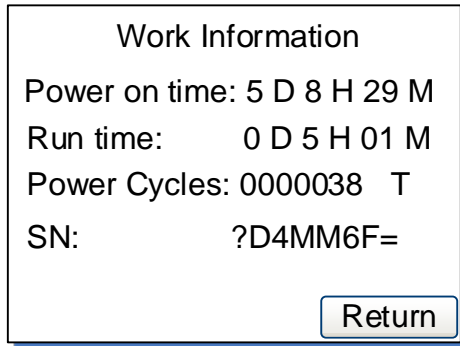




Figure 24. Work Information

- **Defaults**

It is to reset the pump to factory settings. Restart pump to apply the settings. The system can also restore to factory settings by holding

the  and  at the same time when pump powers on, then release the keys after the beep.

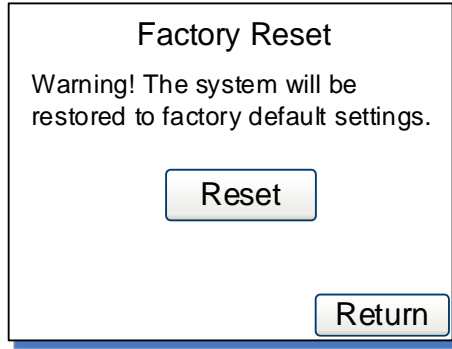


Figure 25. Factory Reset

- **Password**

It is to set a password to unlock the keypad. It will prevent user from changing parameters accidentally. The default password is empty.

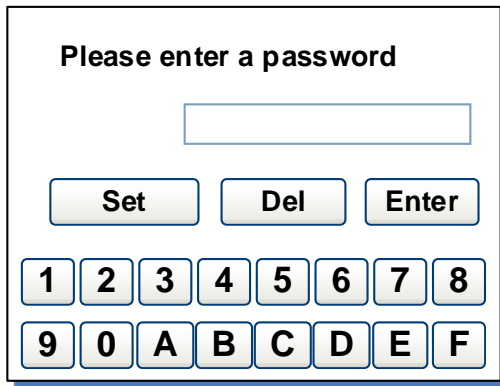


Figure 26. Password

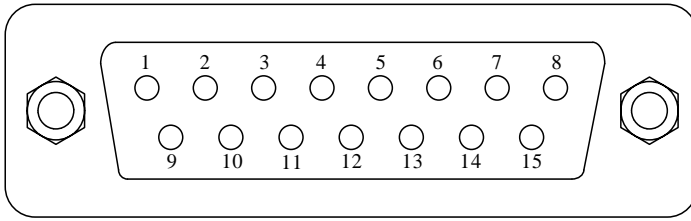
4.3.5 About

It shows the functions and features about the pump.

4.3.6 Return

To return the main display screen.

5 External Control Interface



DB15	Mark	Note
1	ADC_W	Positive of external analog input
2	B	Communication interface, B pole of RS485
3	A	Communication interface, A pole of RS485
4	VCC_W	External DC power input
5	DAC	Analog voltage signal output
6	CW_W	External input signal to control direction
7	PWM	Pulse signal output
8	COM	Ground of external power
9	AGND	Negative of analog signal input
10	+12V	Positive of internal +12V power source
11	GND	Ground of Internal power source
12	CW	Direction signal output
13	RS_W	External start/stop signal input
14	PWM_W	Pulse signal input
15	RS	Start/stop signal output

6 Operation Instructions

6.1 Before Operation

- 1) Please check the packing slip to make sure nothing is wrong or damaged in the package. If there is problem, please contact the manufacturer or distributor.
- 2) Read through the instruction.

- 3) There should be more than 200 mm space for the back of the pump when it is running.

6.2 Power Connection

The voltage of the power supply should be marked on the sticker of the pump. Please make sure to use the right power source for the pump. Please plug the power cord into the power connector on the rear of the pump and plug the opposite end of the power cord into an electrical outlet. Flip the power switch located on the rear of the pump.

6.3 First Run Wizard

When use the pump at the first time or after factory reset, the system will show welcome screen. The next step is to choose the model number of the pump head installed. The system will run Pump Head Setup -> Tubing Setup -> Anti-Drip setup -> Working Mode setup -> Calibration in sequence. User can set the parameters and operation mode according to the requirement. Pump will save the information and you only need to run the wizard once.

The screenshots show the following steps in the First Run Wizard:

- Welcome to use First Run wizard.** Please check the user manual for details if you have any questions.
 Button: continue
- Pump Head Setup** Please choose pump head.
 Options: YZ15, YZ15, YZ25, DG.
 Button: OK
- Tubing Setup**
 Options: 13#, 13#, 14#, 19#.
 Min 6.0 $\mu\text{L}/\text{min}$
 Max 9.0 mL/min
 Button: OK
- Anti-Drip Settings**
 Deceleration Time 0.5 s
 Reverse Speed 600 RPM
 Reverse Angle 360 degrees
 Button: OK

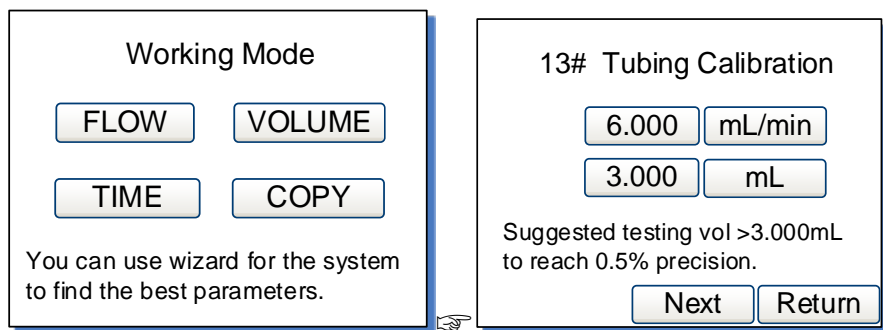




Figure 27. First Run Wizard

6.4 Flow Rate Calibration

The calibration must be done when

- First time to use the pump
- Pump head is changed
- Tubing is replaced
- Transfer fluid in one channel with dual pump heads
- Tubing is reinstalled
- After continuous work for a long time

How to calibrate

- 1) Install pump head and tubing.
- 2) In the General Settings window, set the model number of the installed pump head.
- 3) When pump shows Main screen, press PRIME  to prime the pump.
- 4) When the drive is not running, press System Settings icon , then select Calibrate.

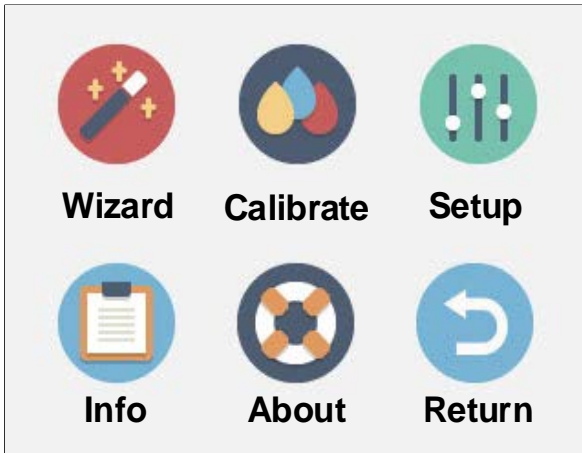


Figure 28. System Settings

- 5) In calibration wizard window, it shows the current selected tubing, desired flow rate and the suggested volume to test.

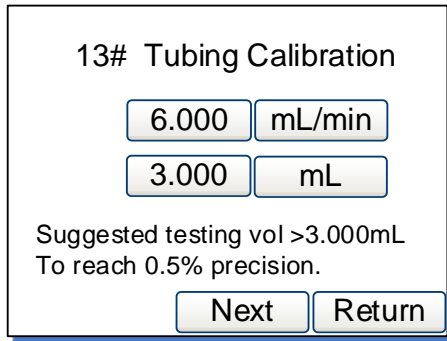


Figure 29. Flow Rate Calibration

The 6.000 mL/min is the desired flow rate and 3.000 mL is the suggested volume need to test. The values or the units can change directly when press the button. Press Next button to enter the calibration window, or press the Return button to exit the wizard to the System Settings window.

Note: The fluid volume should not be less than the suggested value.

- 6) Test window shown below.

Press start/stop key to test, then input the data.

Test1	0.000	mL
Test2	0.000	mL
Test3	0.000	mL

Prev Next Return

Figure 30. Calibration

Press START/STOP key, pump will start to transfer fluid. Wait for the pump to finish testing, and then measure the delivered volume. Repeat the above steps couple more times, and enter the results of the Test1, Test2 and test3 in the calibration window. Please pay attention to the unit to make sure it is correct. Press Next to enter Analyze and Calculate window.

If you want to modify the desired flow rate and volume to test, press Prev button to re-enter the values. Then input the results to the system. The system will ignore the result of 0 and will only use the results you input to calculate the right speed for the desired flow rate.

Note: Please press START/STOP key to stop the test anytime when an accident occurs during the test.

- 7) The corrected testing scale will be calculated and the old scale is also displayed on the screen for reference only.

Analyze and Calculate

Average Vol	3.068	mL
Cal scale	208.6957	
Re scale	213.3330	
Old scale	213.3330	

Prev Return OK

Figure 31. Analyze and Calculate

The scale is a coefficient for the tubing. The calculated scale should be close to the reference scale (the “Re scale” shown on Figure 31). Otherwise, please check the following and press Prev to test again.

- The accuracy of the volume measurement
- The volume unit setting
- The model of the pump head setting
- The tubing size setting
- The liquid viscosity. When it is too high, the flow rate may not be linear to the speed.
- If dual pump heads are used for one channel

If no problem found, press OK button to save the new value. The pump will adjust the speed according to the calculated scale. Or press Return to exit without saving the new value and return to the System Settings window.

If there is no data input to the system, it will show the window as below. Please press Prev to test again or just press Return.

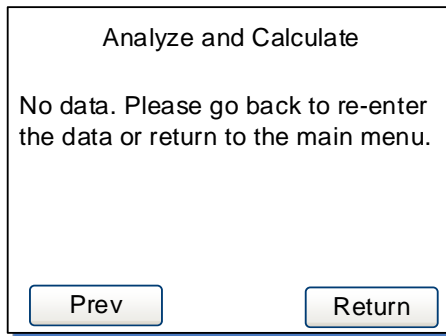


Figure 32. No Input Data

6.5 Working Mode

When the drive is not running, press MODE key to enter Working Mode window as shown below.

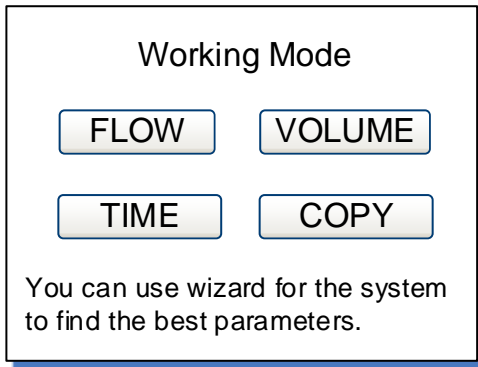


Figure 33. Working Mode

- **FLOW - Flow Mode**

On this mode, pump will be running according to the set flow rate, and record the cumulative fluid volume.

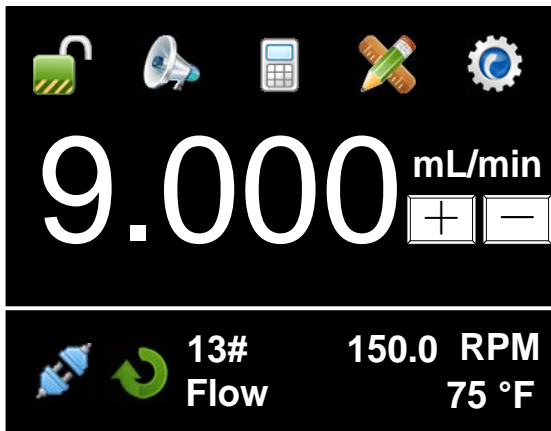


Figure 34. Flow Mode

- **VOL - Volume Dispense Mode**

On this mode, pump will dispense by setting dispense volume for each dose, lag time between doses and number of cycles. System will calculate duration time for each dose automatically.

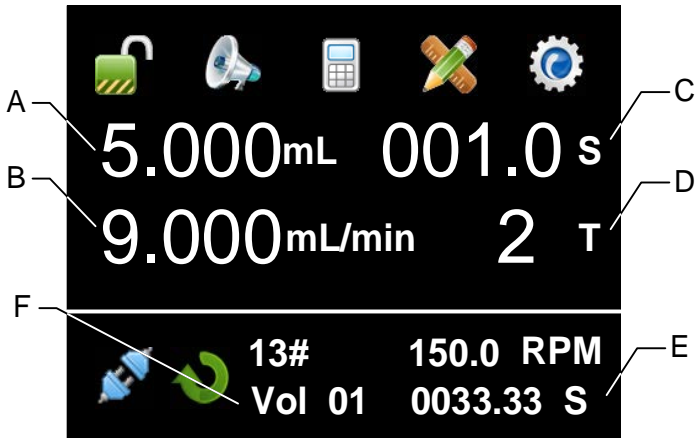


Figure 35. Volume Dispense Mode

A - Dispense volume for each dose, μL , mL or L.

B - Dispense flow rate, $\mu\text{L}/\text{min}$ or mL/min.

C - Lag time. The time between doses.

D - Dispense cycles. When set dispense cycles to 0, the drive will keep running until START/STOP key is pressed. When set dispense cycles to 1, the drive will run only once, and the lag time setting is invalid. When set dispense cycles to more than 1, the drive will run the set number of cycles then stop.

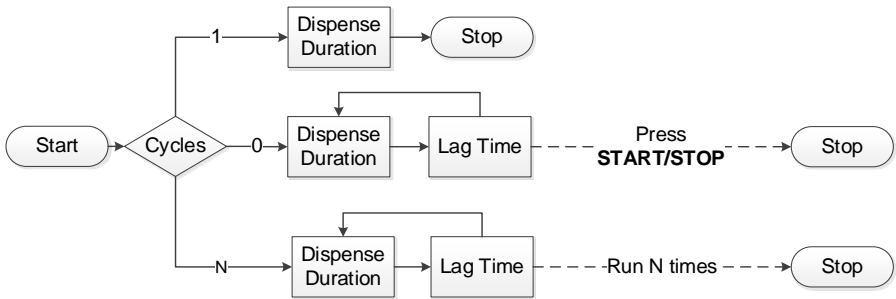


Figure 36. Dispense Cycles

E - Dispense duration for each dose. According to the dispense volume and time, system will calculate dispense duration automatically.

F - Volume Dispense Mode, with group 1 data. The data group can

be selected from the Quick Settings menu.

- **TIME - Time Dispense Mode**

Pump will dispense by setting the dispense duration for each dose, lag time between doses and number of cycles. System will calculate dispense volume for each dose automatically.

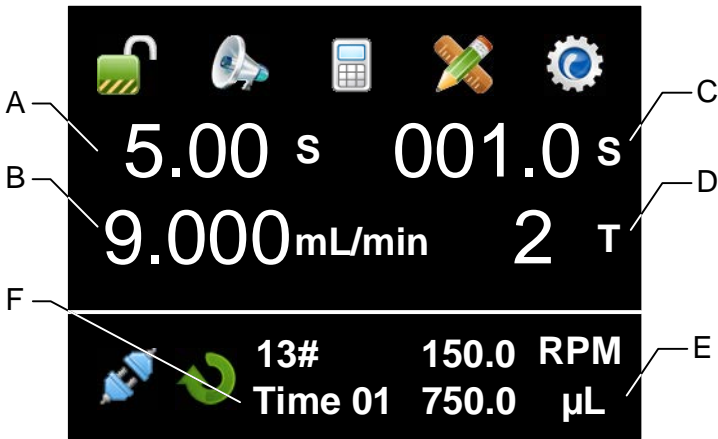


Figure 37. Time Dispense Mode

A - Dispense duration for each dose

B - Dispense flow rate, mL/min or L/min.

C - Lag time. The time between doses.

D - Dispense cycles. When set dispense cycles to 0, the drive will keep running until START/STOP key is pressed. When set dispense cycles to 1, the drive will run only once. The lag time setting is invalid. When set dispense cycles to more than 1, the drive will run the set number of cycles then stop.

E - Dispense volume for each dose. According to the dispense duration and flow rate, system will calculate dispense volume for each dose automatically.

F - Time Dispense Mode, with group 1 data. The data group can be selected from the Quick Settings menu.

- **COPY - Copy Dispense Mode**

Pump will dispense by setting total volume need to dispense, lag

time between doses and number of dispense cycles. System will calculate dispense volume for each dose automatically.

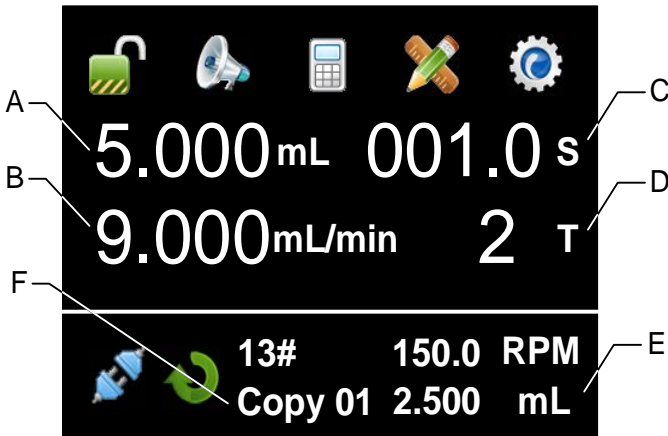


Figure 38. Copy Dispense Mode

A - Total dispense volume, μL , mL or L

B - Dispensing flow rate, $\mu\text{L}/\text{min}$, mL/min

C - Lag time. The time between doses.


D - Dispense cycles. When set dispense cycles to 0, the drive will keep running until START/STOP key is pressed. When set dispense cycles to 1, the drive will run only once. The lag time setting is invalid. When set dispense cycles to more than 1, the drive will run the set number of cycles then stop.

E - Dispense volume for each dose. According to the total dispense volume and number of cycles, system will calculate the dispense volume for each dose automatically.

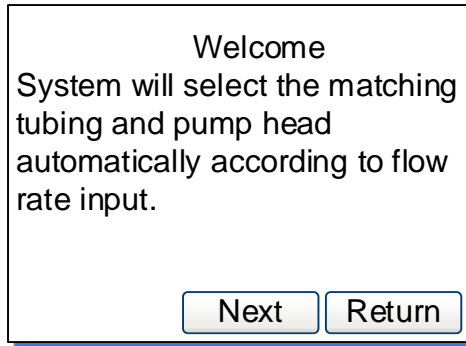
F - Copy Dispense Mode, with group 1 data. The data group can be selected from the Quick Settings menu.

6.6 Wizard

The system will help you to choose the appropriate pump head and tubing size automatically by running this wizard.

- 1) When the drive is not running, press the icon , then select Wizard. Pump will display Welcome screen. Press Next to enter

parameter setup interface.

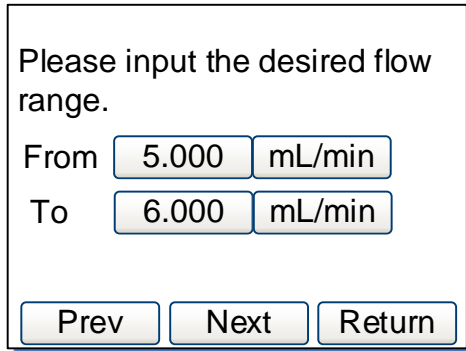


Welcome
System will select the matching
tubing and pump head
automatically according to flow
rate input.

Next Return

Figure 39. Welcome Screen

2) Input the required values as shown below.



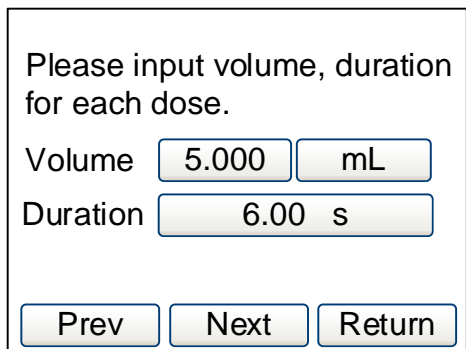
Please input the desired flow
range.

From 5.000 mL/min

To 6.000 mL/min

Prev Next Return

Figure 40. Flow Mode



Please input volume, duration
for each dose.

Volume 5.000 mL

Duration 6.00 s

Prev Next Return

Figure 41. Volume/Time Dispense Mode

Please input total volume, cycles and duration for each dose.

TotalVol

Cycles

Duration

Figure 42. Copy Dispense Mode

- 3) Press Next button, system will list appropriate pump heads automatically. Select the desired pump head and tubing, press Next to set up lag time and cycles. If there is no pump head listed, go back to re-enter the data.

Please select one set of the matching pump head and tubing.

YZ15	13#	<input type="button" value="v"/>
YZ15	13#	<input type="button" value="^"/>
YZ15	14#	<input type="button" value="v"/>
YZ15	19#	<input type="button" value="v"/>

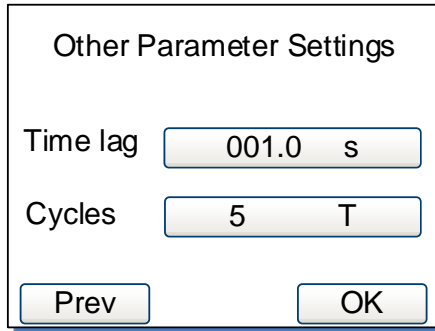
Figure 43. Appropriate Pump Heads List

No matching pump head found.

<input type="button" value="v"/>
<input type="button" value="^"/>
<input type="button" value="v"/>

Figure 44. No Appropriate Pump Head

- 4) Other Parameter Settings, for lag time between doses and number of cycles.



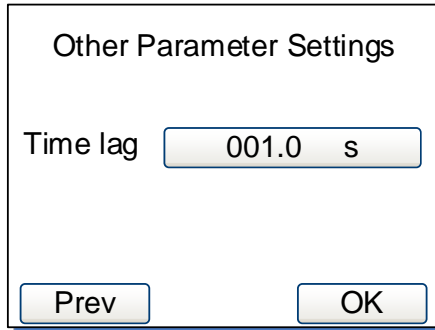
Other Parameter Settings

Time lag 001.0 s

Cycles 5 T

Prev OK

Figure 45. For Volume/Time Dispense Mode



Other Parameter Settings

Time lag 001.0 s

Prev OK

Figure 46. For Copy Dispense Mode

6.7 External Control Mode

On this mode, external logic level signal controls direction and start/stop. External analog signal controls rotating speed. The keypad is disabled. The analog signal could be 0-5V, 0-10V or 4-20mA. By default, the signal is 0-5V. For 0-10V or 4-20mA, the jump setting on the analog signal control board has to be changed.

BT-F Intelligent Dispensing Peristaltic Pump



0-5V (default)

0-10V

4-20mA

Figure 47. Analog Signal Control Board Setting

To control pump by external signal

- 1) Switch the power off. Wire the DB15 connector as shown on [Figure 48](#) or [Figure 49](#), and connect it to the DB15 port on the rear of the pump.

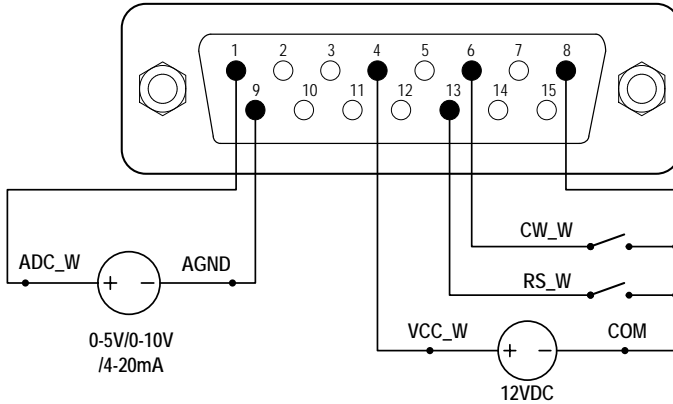


Figure 48. DB15 Wiring with External 12VDC Power Source

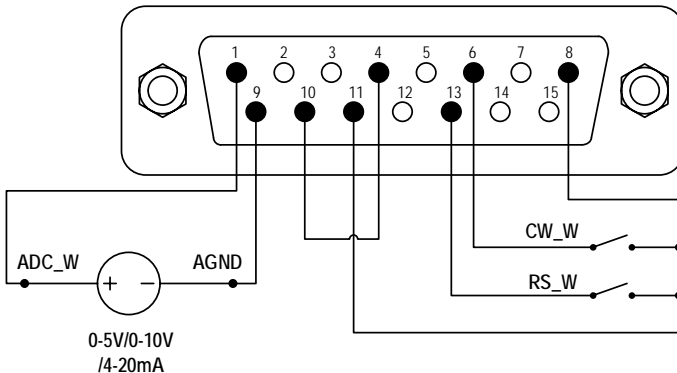





Figure 49. DB15 Wiring with Internal 12VDC Power Source

- 2) Turn on the power switch. Pump will display the main screen.
- 3) Press  to set Control Mode to voltage , or current .
- 4) Turn on the external analog signal power source.
- 5) When set the Remote Control Mode to Logic Level, close the external RS_W switch, the drive will run and the speed will change according to the intensity of the analog input signal. Open RS_W switch to stop the drive.

When CW_W switch is open, the drive will run in clockwise direction; when CW_W switch is closed, the drive will run in counterclockwise direction.

- 6) When set the Remote Control Mode to Pulse, close then open the external RS_W switch, the drive will run and the speed will change according to the intensity of the analog input signal. Close and open RS_W switch again to stop the drive.

When close then open the external CW_W switch, the drive will run in clockwise direction; when close then open CW_W switch again, the drive will run in counterclockwise direction.

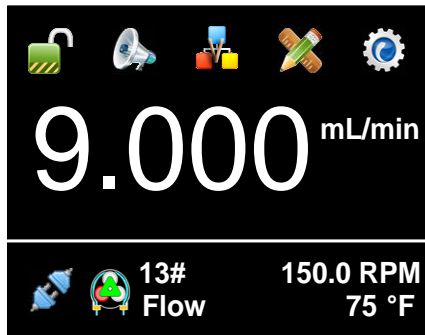


Figure 50. Voltage Control Mode



Figure 51. Current Control Mode

Note: The external DC power source can be 5V or 12V. If it is 24V, 1.5K resistor is needed to protect internal circuit.

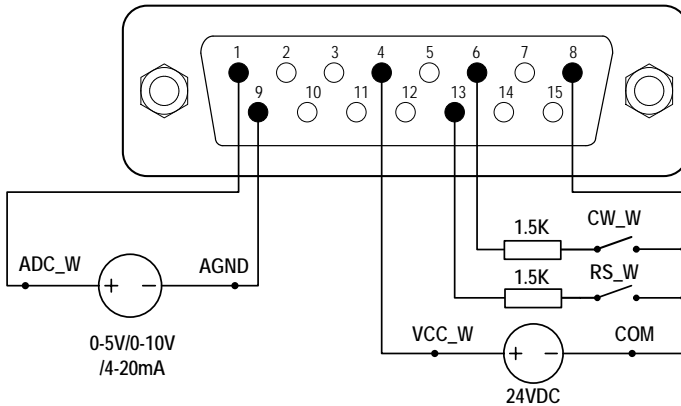


Figure 52. DB15 Wiring with External 24VDC Power Source

6.8 Communication Mode

The RS485 interface supports standard MODBUS protocol. Pump can communicate with external device via the communication port. Please refer to the [Communication Instruction manual](#) for the parameters and supported commands.

To work with communication mode

- 1) Turn the power off. Wire the DB15 connector as shown on [Figure 53](#), and connect it to the DB15 port on the rear of the pump. External DC power source is recommend to avoid electrical interference.

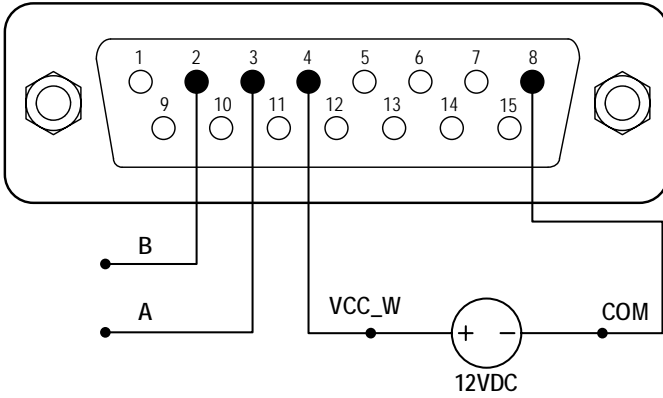




Figure 53. RS485 MODBUS Wiring

- 2) Turn the power on. Pump will display the main screen.
- 3) On Internal Control Mode, when the main screen shows , the communication is connected. If it shows , the communication is disconnected.
- 4) Control pump with communication interface.

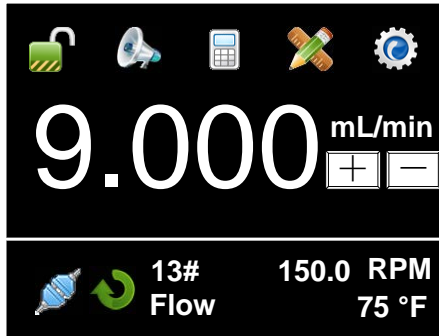


Figure 54. Communication Connected

6.9 Footswitch

To use a footswitch to control start and stop

- 1) Power pump off. Wire the DB15 connector as shown on Figure 55 or Figure 56, and connect it to the DB15 port on the rear of the pump.

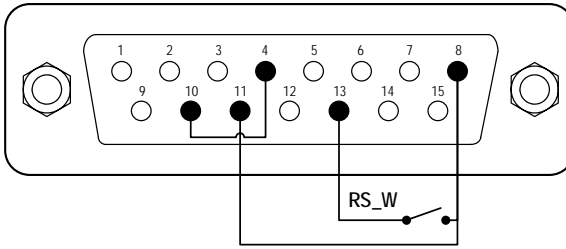


Figure 55. Control Start/Stop with Internal 12V Power Source

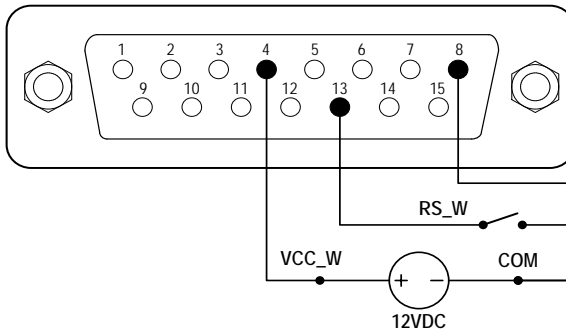


Figure 56. Control Start/Stop with External 12V Power Source

- 2) Turn the power on. Pump will display the main screen.
- 3) On Internal Control Mode, if pump is set to one of the dispense modes, when the switch RS_W is closed then open, pump will start to dispense.
- 4) On Footswitch Control Mode, if Remote Control Mode is set to Logic Level, when the switch RS_W is closed, the drive will start; when the switch is open, the drive will stop.
- 5) On Footswitch Control Mode, if Remote Control Mode is set to Pulse, when the switch RS_W is closed then open, the drive will start; when the switch is closed then open again, the drive will stop.

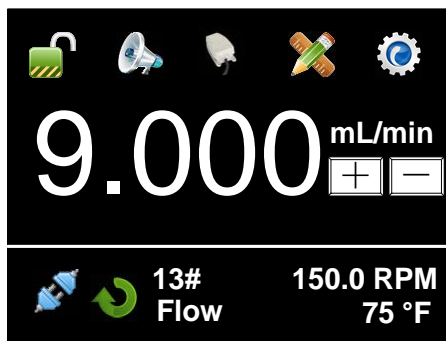


Figure 57. Footswitch Control

7 Maintenance

7.1 Warranty

The product comes with one-year labor and parts warranty. The limited warranty does not cover any damage that is caused by improper usage and handling.

7.2 Regular Maintenance

- 1) Always check the tubing and connections to make sure there is no leakage.
- 2) Do not cover the fan on the rear of the pump.
- 3) Do not use water to wash the pump. Keep pump head dry.
- 4) Do not use chemical solvents to clean pump and pump head.

7.3 Malfunction Solutions

No.	Malfunction	Description	Solution
1	Hardware	No display	<ol style="list-style-type: none"> 1. Check the power cord 2. Check the fuse. If it was blown, replace it with a 1A slow-blow fuse 3. Check the internal power cord connection inside the pump. 4. Check the wire connection between LCD and main control board.
2	Hardware	Motor does	<ol style="list-style-type: none"> 1. Check the indicator of the driver

BT-F Intelligent Dispensing Peristaltic Pump

		not work	board. 2. Check the wire connection between motor and driver board. 3. Check the wire connection between the driver and the main board. 4. Check the power voltage for the pump.
3	Hardware	Motor is trembling	1. Check the wire connection between the motor and the driver board. 2. The motor is overloaded. Check the mechanical connection.
4	Hardware	Motor only runs in one direction	Check the connection between the drive board and the main control board.
5	Hardware	Keypad does not work	1. Check the wire connection between keypad and the main board. 2. Check if the key is broken.
6	Hardware	External control does not work	1. Check the wiring of the connector. 2. Check if the external control power voltage is provided. 3. Check the connections of the external control board.
7	Hardware	RS485 com does not work	1. Check the wiring of the connector. 2. Check if the external control power voltage is provided. 3. Check the connections of the communication board.
8	Hardware	Noisy when running	Check the screws and level on pump head to make sure they are secure.
9	Software	External control does not work	Check if pump is on External Control Mode.
10	Software	RS485 does not work right	1. Check if the display shows the communication is ready. 2. Reset the address of the pump.

BT-F Intelligent Dispensing Peristaltic Pump

			3. Check whether on the bus there are two pumps using the same address
--	--	--	--



If the problem can not be solved, please contact the manufacturer or distributor.

8 Dimensions

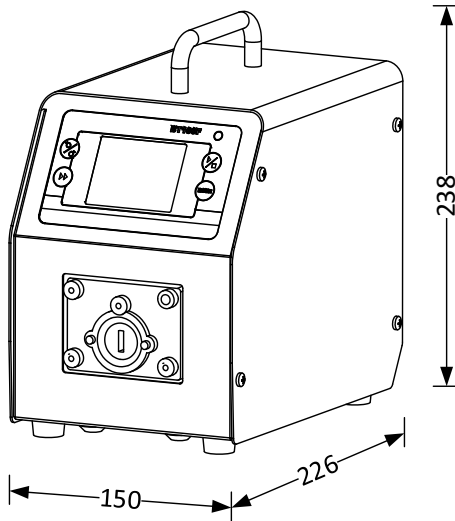
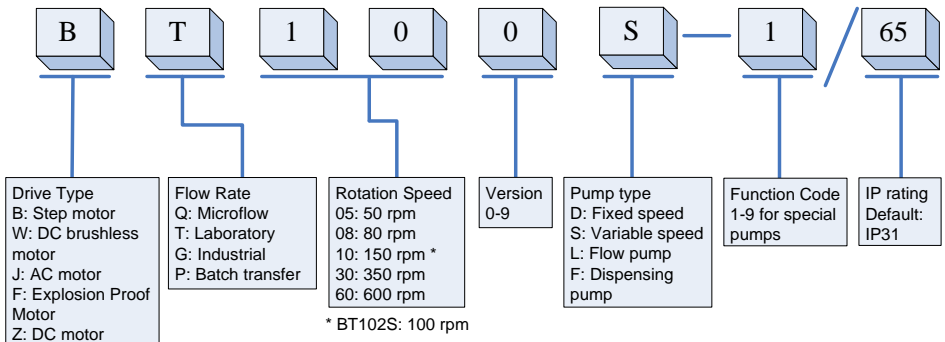


Figure 58. Dimensions (mm)

9 Naming Rule



10 Specifications

Speed resolution	0.1 rpm
Speed accuracy	0.2%
Power supply	AC 220V \pm 10% 50Hz/60Hz; AC 110V \pm 10% 50Hz/60Hz
Power consumption	BT100F: < 40W; BT300F: < 50W; BT600F: < 60W
External logic level control signal	5V, 12V (standard), 24V (optional)
External analog control signal	0-5V (standard); 0-10V, 4-20mA (optional)
Communication interface	RS485 MODBUS
Operating condition	Temperature 0~40°C, Relative humidity <80%
IP grade	IP31
Display	TFT Touch Screen LCD, 65536 Colors
Dimensions (LxWxH)	226 x 150 x 238 mm (8.90 x 5.91 x 9.37 inch)
Weight	BT100F: 4.8 kg (10.6 lbs); BT300F: 5.3 kg (11.7 lbs); BT600F: 5.5 kg (12.1 lbs)

BT100F Suitable Pump Heads and Tubing, Flow Parameters

Drive type	Pump heads	Ch	Tubing size (mm)	Flow rate per channel (mL/min)
BT100F (304SS case)	DG6-1 (6rollers)	1	Wall:0.8~1, ID:≤2.4	0.00016~26
	DG10-1(10rollers)	1	Wall:0.8~1, ID:≤2.4	0.00011~20
	DG6-2 (6rollers)	2	Wall:0.8~1, ID:≤2.4	0.00016~26
	DG10-2 (10rollers)	2	Wall:0.8~1, ID:≤2.4	0.00011~20
	DG6-4 (6rollers)	4	Wall:0.8~1, ID:≤2.4	0.00016~26
	DG10-4 (10rollers)	4	Wall:0.8~1, ID:≤2.4	0.00011~20
	DT10-18	1	13# 14#, Wall:0.8~1, ID:≤3.17	0.0002~82
	DT10-28	2	13# 14#, Wall:0.8~1, ID:≤3.17	0.0002~82
	DT10-48	4	13# 14#, Wall:0.8~1, ID:≤3.17	0.0002~82
	YZ15	1	13# 14# 16# 19# 25# 17#	0.0006~420
	YZ25	1	15# 24#	0.16~420
	2 x YZ15	2	13# 14# 16# 19# 25# 17#	0.0006~420
	2 x YZ25	2	15# 24#	0.16~420
	YT15	1	13# 14# 16# 19# 25# 17# 18#	0.006~570
	YT25	1	15# 24# 35# 36#	0.17~720
	2 x YT15	2	13# 14# 16# 19# 25# 17# 18#	0.006~570
	2 x YT25	2	15# 24# 35# 36#	0.17~720
	DT15-14	1	16# 19# 25# 17#	0.05~400
	DT15-24	2	16# 19# 25# 17#	0.05~400
	DT15-44	4	16# 19# 25#	0.05~260

BT300F Suitable Pump Heads and Tubing, Flow Parameters

Drive type	Pump head	Ch	Tubing size	Flow rate per channel (mL/min)
BT300F (304SS case)	YZ15	1	13# 14# 16# 19# 25# 17#	0.006~990
	YZ25	1	15# 24#	0.16~990
	2 x YZ15	2	13# 14# 16# 19# 25# 17#	0.006~990
	2 x YZ25	2	15# 24#	0.16~990
	YT15	1	13# 14# 16# 19# 25# 17# 18#	0.006~1300
	YT25	1	15# 24# 35# 36#	0.16~1600
	2 x YT15	2	13# 14# 16# 19# 25# 17# 18#	0.006~1300
	DT15-14	1	16# 19# 25# 17#	0.05~930
	DT15-24	2	16# 19# 25# 17#	0.05~930
	DT15-44	4	16# 19# 25#	0.05~610

BT600F Suitable Pump Heads and Tubing, Flow Parameters

Drive type	Pump head	Ch	Tubing size	Flow rate per channel (mL/min)
BT600F (304SS)	YZ15	1	13# 14# 16# 19# 25# 17# 18#	0.006~1700
	YZ25	1	15# 24#	0.16~1700
	2 x YZ15	2	13# 14# 16# 19# 25# 17# 18#	0.006~1700
	2 x YZ25	2	15# 24#	0.16~1700
	YT15	1	13# 14# 16# 19# 25# 17# 18#	0.006~2300
	YT25	1	15# 24# 35# 36#	0.16~2900
	2 x YT15	2	13# 14# 16# 19# 25# 17# 18#	0.006~2300